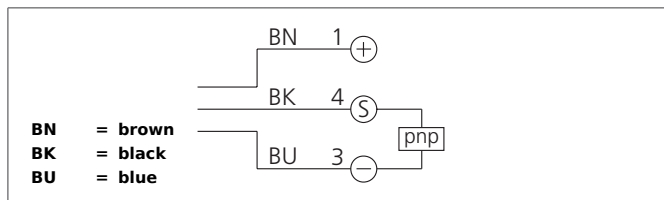


OGLP 080 P3K-TSSL

High Performance Angled Light Barrier

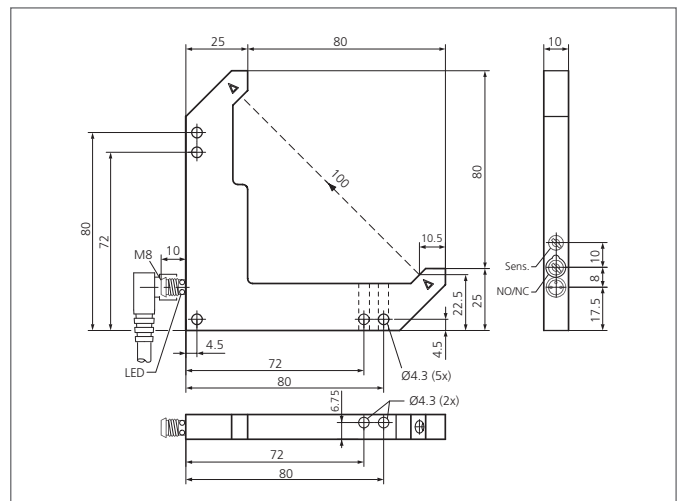


- High functional reserve
- Extremely dirt-resistant
- Collimator optics
- Optical axis approachable in x-, y- and z-direction
- Integrated electronic module
- Sensitivity adjustable
- Light/dark switching
- Metal connector
- Bright ring LED
- 5-year warranty



Safety instructions

The Instruments are not to be used for safety applications, in particular applications in which safety of persons depends on proper operation of the instruments.
 These instruments shall exclusively be used by qualified personnel.



TECHNICAL INFORMATION (typ.)	+20°C, 24V DC
Operating principle	Optical
Evaluation	digital
Size	105 x 105 x 10 mm (Dimensions)
Design	Angle
Branch length	80/80 mm
Characteristics	High transmit power and dirt penetration
Emitted light	Infrared, 880 nm, clocked
Service voltage	10 ... 35 V DC (Supply Class 2)
Internal power consumption	< 30 mA
Operating distance	100 mm (optical axis)
Resolution	Ø 3 mm
Sensitivity adjustment	potentiometer
Switching output	pnp, 200 mA, NO/NC, switchable
Switching hysteresis	< 0,2 mm
Voltage drop	< 2,8 V
Switching frequency	300 Hz
Reproducibility	0,06 mm
Ambient temperature	-10 ... +60 °C
Ambient light immunity	20 kLx
Insulation voltage endurance	500 V
Protection class	IP 67
Protection degree	III, operation on protective low voltage
Casing material	Die-cast zinc black lacquered finish

OGLP 080 P3K-TSSL

High Performance Angled Light Barrier



TECHNICAL INFORMATION (typ.)	+20°C, 24V DC
Connection	Connector, M8, 3-poled
Connecting cable	TK ...